

## COMMAND LIST

### 6 Add Card Holders Enable/Disable, Delete

1. Command for Card Editing :

Disable (Suspend) Cards

press **1. Add/Delete** **3. Suspend->Addr**

Delete (Disable) Users/Cards

press **1. Add/Delete** **5. Delete->Addr**

Recover Cards / Users

press **1. Add/Delete** **7. Recover->Addr**

2. According to Card ID, use your Card ID to install your card in system.

ex : 1st Card ID is 12345:00001,  
the last card ID is 12345:00100



Steps: 1. Entering into EDIT( Function) Mode

2. Recover : Addr. (command. 17)

3. Input Start Addr. Ex: 00001

4. Input End Addr. Ex: 00100

5. Exit the EDIT mode: finished

### 7 Quick Guide Function Menu

Under Function Menu, you could just press the indicative number to get into concerning set-up screen directly

#### 1. Add/Delete

1. Add->Car ID
2. Add->RF-learn
3. Suspend->Addr
4. Suspend->ID #
5. Delete->Addr
6. Delete->ID #
7. Recover->Addr
8. Recover-ID #
9. Antipass Group

#### 2. User Setting

1. Password
2. Access Mode
3. Extend Options
4. Single Floor
5. Multi Floors

#### 3. Parameters(1)

1. Node ID
2. AutoOpen Zone
3. Door Relay Tm
4. Door Close Tm
5. Alarm RelayTm
6. Alarm DelayTm
7. ArmingDelayTm
8. Arming PWD
9. Arming Pulse

#### 4. Parameters(2)

1. Auto Relock
2. Egress (R.T.E)
3. Attendance
4. Master Node
5. AR401R16 Node
6. Close &Stop
7. Anti-passback
8. Duress Code
9. Factory Reset
0. Key(#)/is Bell

#### 5. Tools

1. Language
2. Master Code
3. Master Range
4. Terminal Port
5. AR401R16 Node
6. Open TimeZone.
7. I nformations.
8. Clock Setting
9. Control Mode
0. View Events

#### 6. Quit

#### 7. Quit & Arming

### 8 Function Description

#### 24 Single Floor

To setup user for single floor access (This function is only workable under the situation that ECL-ACC950 combined with AR-401RO16 and Control Mode is not Mode 6.)

#### 25 Multi Floors

To setup user for multi floors access (This function is only workable under the situation that ECL-ACC950 combined with AR-401RO16 and Control Mode is not Mode 6.)  
For example: User 0001 access to floor 17, 22, 31, 32 (Supposed no basement)

- ① Entering "Function Menu"
- ② Press 2 5
- ③ Enter user address: 00001
- ④ Select range: 2 (for 17 - 32)  
1: 01 -16 2: 17 - 32
- ⑤ 0 -> stop 1 ->  
Yes 1000010000000011

#### 31 Node ID

To setup Node ID (default: 001), range from 001 to 254

#### 33 Door Relay Time

To setup how long the time will be that door close after a card flashing. Range: 0 ~ 600(sec.)

To set value "0" will make door keep opening, after 2nd card flashing, then door close. (Default value: 7 sec.)

## Please check your content of packing in ECL-ACC950

A. Reader



B. Component & Tools



C. User Guide



D. Terminal Cable



E. Water-Resisting Line



#### Installation Notice



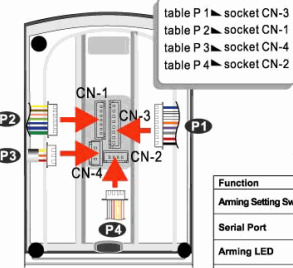
#### Steps

- 1 Use the screwdriver to screw the mounting plate on the wall.
- 2 Pull cable ends through the access hole in the mounting plate
- 3 Attach body to the mounting plate and install screw (supplied) into the hole at the bottom with the Allen wrench(supplied).
- 4 Apply power. Green LED(Power) will light up, a beep sound and LCD panel message will show up.

#### Installation Notice:

- The distance between Reader and its auxiliary reader should be more than 50cm and less than 12 M. (suggested value)
- Reader does not supply power to operate electric strike or magnetic locks, a separated power supply are required.
- Run the following cables to Reader location. Conduit is recommended to reduce the effects of EMI/RFI and for physical protection of the wires.

#### Installation Diagram



#### P3 Table3-Connector CN4 Color Coding

Wire Application	Wire	Color	Description
Tamper Switch	1	Red	N.C.
	2	Orange	COM
	3	Yellow	N.O.

#### P1 Table1-Connector CN3 Color Coding

Wire Application	Wire	Color	Description
Door Relay	1	Blue White	(N.O.)JDC24V1Amp
	2	Purple White	(N.C.)JDC24V1Amp
Door/Alarm Relay	3	White	(COM)JDC24V1Amp
Door Sensor	4	Orange	Negative Trigger Input
Exit Switch	5	Purple	Negative Trigger Input
Alarm Relay	6	Gray	N.O. / N.C. Optional
	7	Thick Red	DC Power 12V
Power	8	Thick Black	DC Power 0V

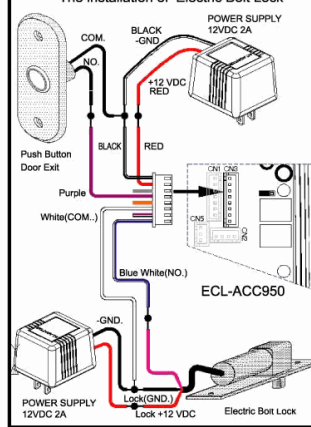
#### P4 Table4-Connector CN2 Color Coding

Function	Wire	Color	Description
Arming Setting Switch	1	Orange White	ON OFF Latch type
Serial Port	2	Yellow White	Serial output (Transistor open collector) (4800,N,8,1)
Arming LED	3	Red White	Arming output (Active low)
Card Present	4	Brown White	Card present output active low (Transit output)

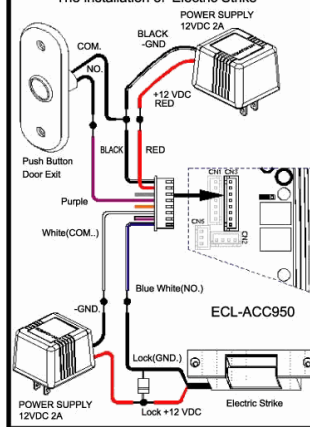
#### P2 Table2-Connector CN1 Color Coding

Wire Application	Wire	Color	Description
Networking	1	Thick Green	RS-485(B-)
	2	Thick Blue	RS-485(A+)
	3	Thin Blue	Wiegand DAT:1 Input
Wiegand	4	Thin Green	Wiegand DAT:0 Input
	5	Thin Green	ABA Data Input
Buzzer	6	Pink	Buzzer Output 5V/100mA, Low
LED	7	Brown	LED Green Output 5V/20mA, Max
	8	Yellow	LED Red Output 5V/20mA, Max

#### The installation of Electric Bolt Lock



#### The installation of Electric Strike



#### The installation of Magnetic Lock

